

cura¹

2721 - iBeam



What's in the box?



2721 iBeam



3 X AA Batteries



Screws & Double Sided Tape



QuickStart User Guide

Compatible & Optional Accessories

2723 EzyStand, 3501 ActiveCare Pager, 3508 LED Pager, 2700 Six Channel Cordless Falls Monitor, 3500 ActiveCare Console, 2544 Cordless Multiport Expander, 2549 Cordless Multiport Expander Bracket Mount, 2404 Plug Pack

*The range of wireless devices and detection distance may vary and be dependent on your specific environmental conditions.

cura¹

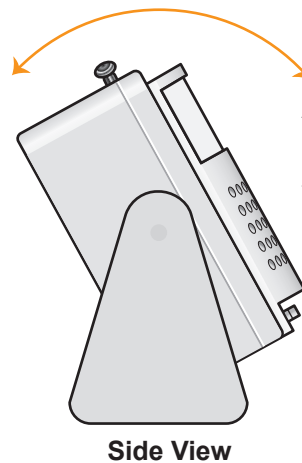
10 Gray Street, Kilkenny South Australia 5009
www.cura1.com

 **1300-12-CARE (2273)**

UM-028e



All our products are supplied with a full warranty and are guaranteed to be free from defects in material and workmanship.



Adjustable tilt can be used when the iBeam is located on the ground or up high.

Antenna. Extend fully when in use.

iBeam curtain window

Status LED flashes red every 5 seconds when motion detected.

Mode Selection Switch - LOCAL, OFF or SEND

PAUSE / RESET Press this to pause detection for 15 seconds or to reset the device after a detection.

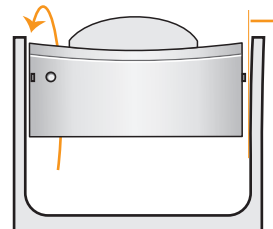
Front View

Detaching the iBeam from it's mounting bracket

If you use screws to fix the iBeam bracket to a permanent position, you will need to separate the iBeam and bracket before you screw the bracket to a fixture.

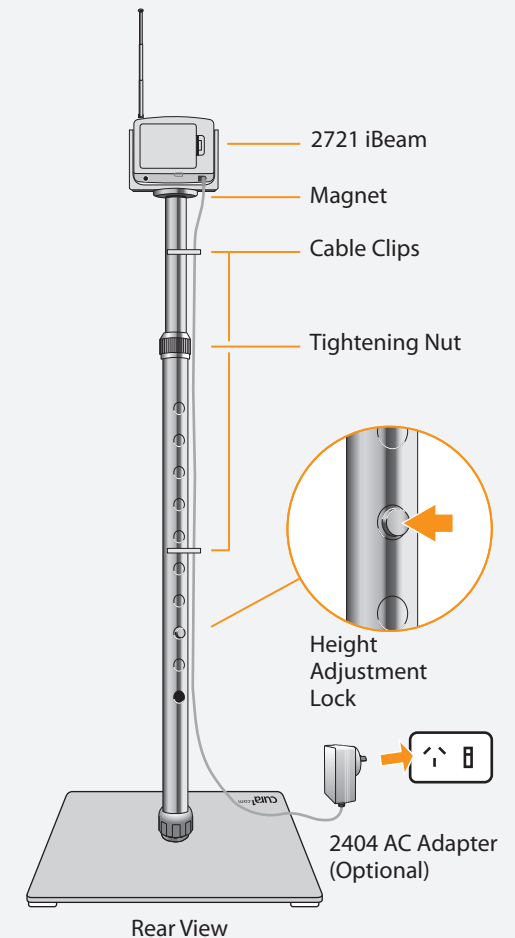
To easily separate the iBeam from it's bracket:

1. Rotate the iBeam in it's bracket 90 degrees so that it is facing the ceiling.



2. Apply gentle pressure to one arm of the bracket so that the iBeam can easily pop out.

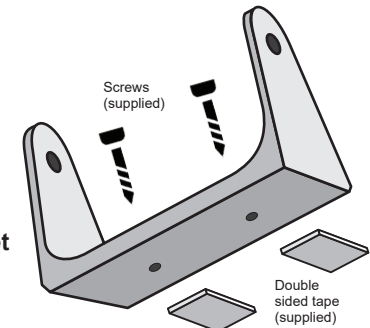
Optional 2723 EzyStand



Mounting hardware

Mounting tape and screws are supplied if you wish to permanently mount the iBeam to a fixture.

iBeam Bracket



QUICK START GUIDE

2721 iBeam

Step 1

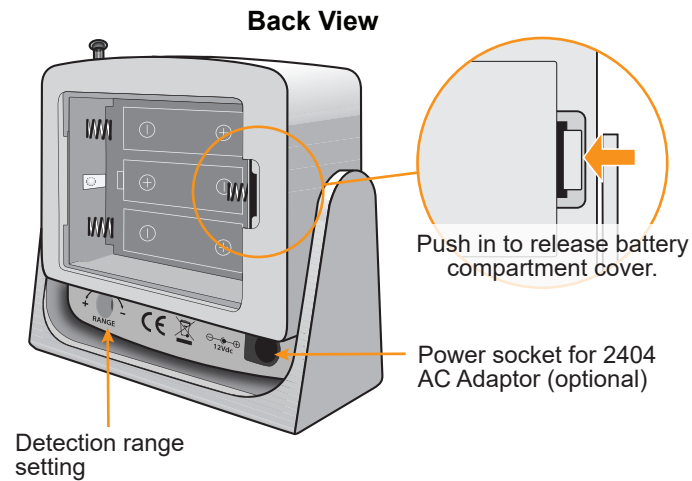
Insert 3 x AA alkaline batteries and / or connect the 2404 Plug Pack.

Ensure iBeam is switched OFF.

Release the battery compartment cover by pressing the compartment latch to the left and allowing it to lever open.

Insert 3 x AA batteries.

Connect a 2404 Plug Pack (optional) to the power socket on the back.



Step 2

Configure for standalone operation.

If the iBeam is to be used without any wireless alarm device then move the Mode Selection Switch to the LOCAL position. In LOCAL Mode, iBeam will emit an audible alarm when it detects movement. Skip Step 3 and proceed to Step 4.

If the iBeam is to be used with a Pager or any other wireless device then skip this step and proceed to Step 3.

Step 3

Pair the iBeam with receiving device/s (if used).

If the iBeam is to be used with a Pager (or any other compatible cura¹ wireless receiving device) then it needs to be paired with that device.

With the iBeam within range of the receiving device, put the receiving device into Programming Mode (for instructions please refer to the documentation that came with the receiving device).

To pair the iBeam with the receiving device, extend the antenna fully and slide the main switch from OFF to SEND.

The iBeam should now be paired with the receiving device.

Now turn OFF the iBeam while completing any further programming for other devices (if needed).

The iBeam can be paired with the following cura¹ devices:



3501 ActiveCare Pager (also 3508)



2700 Six Channel Cordless Falls Monitor



2544 Cordless Multiport Expander (also 2549)



3500 ActiveCare Console

Step 4

Optional Mounting

While the 2721 iBeam can be used free-standing on a bedside table, or on the floor next to a bed, chair or door, it can also be fixed in position with the included mounting adhesive pads and / or the included screws. PTO for information about securing the iBeam to a fixture.

An optional EzyStand is also available which provides a sturdy, height-adjustable base that can be repositioned as needed.

Step 5

Position iBeam for desired detection area.

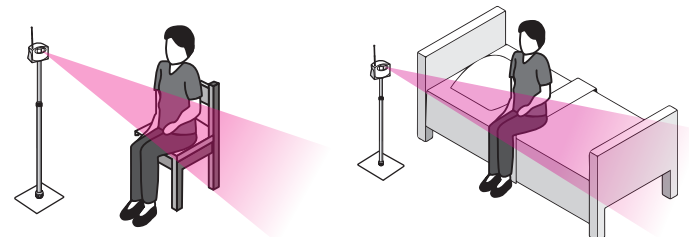
The 2721 iBeam has an extremely narrow detection beam allowing it to be positioned so that the detection area is very precise.

Use in bedrooms, doorways, near stairs etc. Some positioning suggestions are depicted below.

Turn on the iBeam and be sure to thoroughly **test before use**.

The LED illuminates red when movement is detected.

IMPORTANT - When testing, please wait 15 seconds between activations. After it detects movement, the iBeam is disabled for approximately 15 seconds before it can detect movement again. During this time the STATUS light will flash green rapidly.



The extremely narrow detection zone opens up many innovative usage possibilities, compared with a typical PIR sensor with a broad detection zone.

Operation

LOCAL Mode - when movement is detected, iBeam will beep and the status light will flash red every 5 seconds until the RESET button is pushed.

SEND mode - when movement is detected, iBeam will transmit a signal to paired devices and the status light will be solid red for 15 seconds. iBeam will automatically reset itself.