

# 2721 iBeam & 2723 EzyStand

**cura<sup>1</sup>**  
Helping To Care

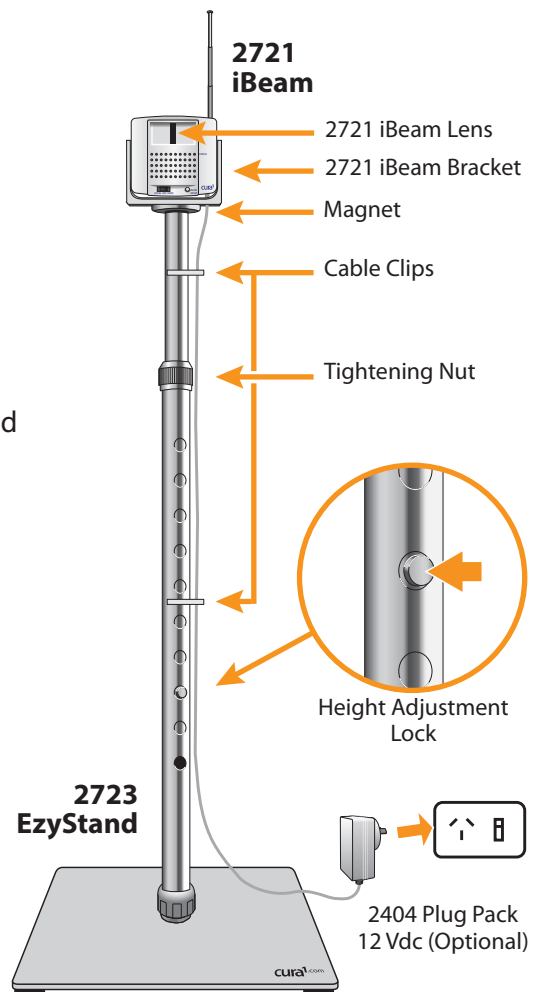


***... convenient and versatile in aged care facilities and at home***

# 2721 iBeam & 2723 EzyStand

Its narrow detection field and portability makes the 2721 iBeam one of our most versatile and popular devices in busy aged care facilities and at home. It can be installed wherever you need to monitor for movement.

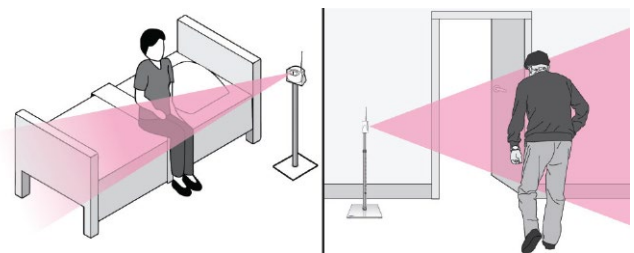
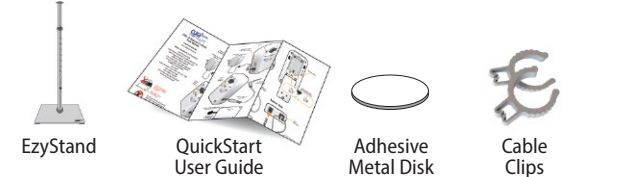
- Affordable and simple to operate.
- Narrow detection zone means a more precise target can be set. There are less false alarms in busy areas compared to conventional detectors.
- Can be installed adjacent to a bed, in front of a chair or across a doorway, stairs, oven, heater or any potentially hazardous area.
- Battery life: 6 months (nominal).
- Low battery indicator.
- Works with other cura<sup>1</sup> cordless receivers or as a stand-alone alarm.
- Accepts plug pack (optional).



## IBEAM - WHAT'S IN THE BOX?



## EZYSTAND - WHAT'S IN THE BOX?



Practical examples of common iBeam applications.

## COMPATIBLE PRODUCTS

- 2700 Six Channel Cordless Falls Monitor
- 2702 Three Channel Cordless Falls Monitor
- 3501 ActiveCare LCD Pager
- 2508 LED Pager
- And all cura<sup>1</sup> cordless receivers.
- 2404 Plug Pack 12 V



Certifications may vary between products.

**cura<sup>1</sup>**  
Helping To Care

10 Gray Street, Kilkenny, South Australia 5009

sales@cura1.com | www.cura1.com

+61 (0) 8 8268 8343 (International)

**1300 12-CARE (2273)**